

## SAL

## AREA LIGHT



PROJECT :

NOTE :

COMPANY NAME:

TYPE:

DATE:

CATALOG NUMBER:

ITEM CODE

WATT

CCT

BEAM ANGLE

VOLTAGE

RECEPTACLE

OPTION

### SPECIFICATION

#### HIGH PRESSURE DIE CAST ALUMINIUM HOUSING

POWER EFFICIENCY: > 90%

THD < 12%

HIGH QUALITY PHILIPS LED 130LM/W

ANTI-GLARE LENS

PHOTOCELL RECEPTACLE 7 PINS OR 3 PINS

3 DIFFERENT MOUNTING ARM

IP GRADE: IP65

IMPACT RATING IK08

OPERATING TEMPERATURE -25°C ~ +50°

CCT 3000K / 4000K / 5000K

IES DISTRIBUTION TYPE II III V

CRI 80RA; L70-50000HRS

INPUT VOLTAGE 120/277VAC 347VAC 60HZ

0-10V DIMMING OPTIONAL WITH 7 PINS OPTION / MOTION SENSOR

POWDER COAT PAINT BRONZE STANDARD

### COLOR OPTIONS

BZ	Bronze
BK	Black
GR	Grey

### FEATURES

#### CONSTRUCTION

- High pressure die cast aluminium housing and door
- Die cast aluminium strait arm and slip fitter, die forge yoke arm
- IP65 construction
- IK08 impact rating
- Polycarbonate anti-grade lens
- Strait arm for round or square pole
- Powder coat painted standard bronze. Black or gray optional
- Ambient temperature -25°C ~ +50°
- Slip fitter switch for 2" IPS tenon
- 2G vibration test

#### MOUNTING

- Standard strait arm for round or square pole
- Round pole adaptor fit up to 5" pole
- Slip fitter adaptor fit to mount on 2.375 OD housing tennon 6" long aluminium or steel
- Wall mount used the yoke arm

#### ELECTRICAL

- Voltage input 120/277 VAC, 347 VAC 60HZ
- 0-10V dimming option
- Motion sensor optional only available on strait arm unit
- Photocell receptacle 7 pins ANSI C136.41 optional

#### COMPLIANCE

- ULC / DLC / IEC
- ICES 005
- ROHS
- FCC PART IS SUBPART



### MODELS

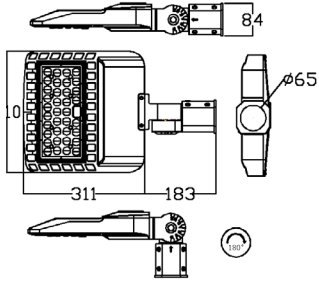
Item Code	Watts(W)	Lumens ( LM)	CCT	Voltage
SAL-60W-XXK-XXXV	60	7500	3000K/4000K/5000K	120-277 Or 347
SAL-80W-XXK-XXXV	80	10400	3000K/4000K/5000K	
SAL-100W-XXK-XXXV	100	12500	3000K/4000K/5000K	
SAL-150W-XXK-XXXV	150	18750	3000K/4000K/5000K	
SAL-200W-XXK-XXXV	200	25000	3000K/4000K/5000K	
SAL-240W-XXK-XXXV	240	30000	3000K/4000K/5000K	
SAL-300W-XXK-XXXV	300	37500	3000K/4000K/5000K	

Watts(W)	Dimension ( Inch )
60	12.2"X12.2"
80	12.2"X12.2"
100	12.2"X12.2"
150	12.2"X12.2"
200	12.2"X17.2"
240	12.6"X23.1"

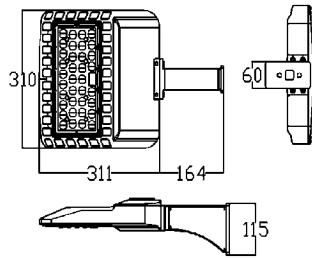
### MOTION SENSOR ( STRAIGHT ARM ONLY ) / PHOTO RECEPTACLE

MS	Motion Sensor ( straight arm option only)
PE1	3 pins photo receptacle
PE2	7 pins photo receptacle

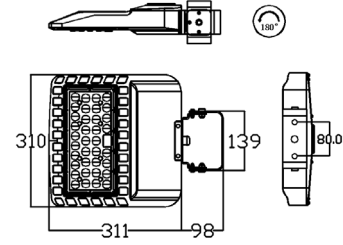
## MOUNTING OPTIONS



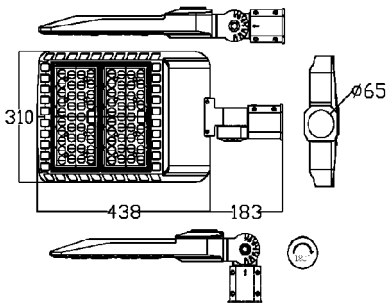
60W/80W 100W / 150W  
SLIP FITTER ARM



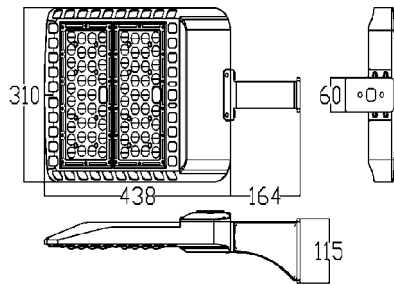
60W/80W 100W / 150W  
STRAIGHT ARM



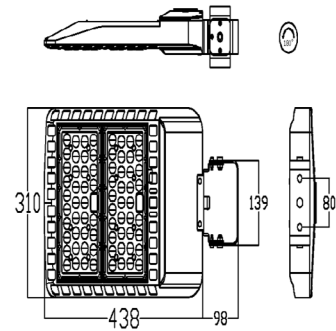
60W/80W 100W / 150W  
YOKE ARM



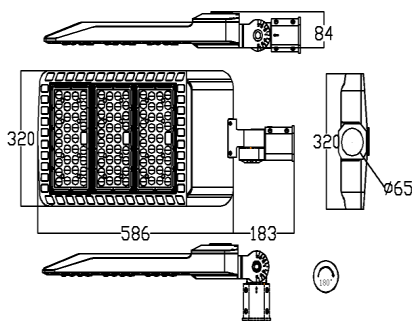
200W SLIP FITTER ARM



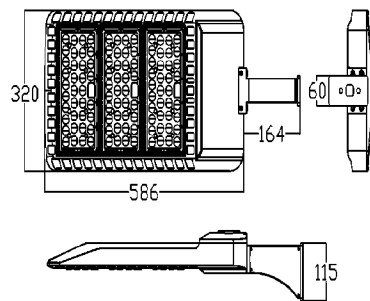
200W STRAIGHT ARM



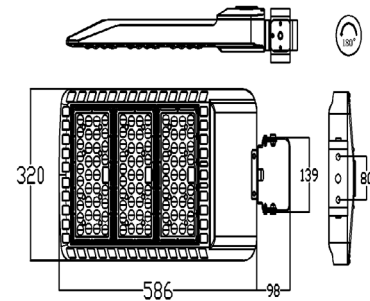
200W YOKE ARM



240W / 300W  
SLIP FITTER ARM



240W / 300W  
STRAIGHT ARM



240W / 300W  
YOKE ARM

MOUNTING	DIMENSION ( inch )	CODE
Slip Fitter Arm	7.2"X3.3" / ø2.6"	S
Straight Arm	6.5"X4.5"X2.4"	T
Yoke Arm	3.9"X5.5"X3.1"	Y