



PHFL

PERFORMANCE FLOOD LIGHT

PROJECT :

NOTE :

COMPANY NAME:

TYPE:

DATE:

CATALOG NUMBER:

ITEM CODE

WATT

CCT&CRI

BEAM ANGLE

VOLTAGE

OPTION

DRIVER

SPECIFICATION

FLOOD LIGHT WITH LOW GLARE OPTIC
UNIT AVAILABLE WITH INTEGRAL DRIVER COMPARTMENT OR REMOTE
HEAVY DUTY DIE-CAST ALUMINIUM HOUSING
LIGHT ENGINE ISOLATED FROM DRIVER COMPONENT
POWDER COAT PAINT FINISH
HORIZONTAL AND VERTICAL AIMING
BEAM ANGLE: 15° / 30° / 60° / 90°
CCT 4000K / 5000K / 6500K
PERFORMANCE 170LM/W
OPERATING TEMPERATURE: -40°C TO +50°C
CRI: 70RA OR 80RA
TOP VISOR OPTIONAL
IP65 CONSTRUCTION; IK08 IMPACT RATING
INPUT VOLTAGE 120/277VAC OR 347VAC, 60HZ
0~10V DIMMING STANDARD
20KV SURGE PROTECTION STANDARD
STAINLESS STEEL HARDWARE
5 YEAR WARRANTY STANDARD
10 YEAR WARRANTY OPTIONAL

FEATURES

CONSTRUCTION

- High pressure die-cast aluminum housing
- Driver compartment can be integral or remote
- IP65 construction
- IK08 impact rating
- Powder coat finish
- Top visor optional
- standard trunnion die forge steel
- Integral horizontal & vertical aiming protractor
- Silicone gasket
- 3G vibration rated

MOUNTING

- Die forge steel trunnion with horizontal angle indicator
- Fit any angle cross arm or tubular support

ELECTRICAL

- 120/277 VAC, 347VAC 60HZ
- 0-10V dimming standard
- PF>0.95
- 7 pins photo receptacle optional

COMPLIANCE

- ULc / DLC / IEC
- ICES 005
- ROHS
- Suitable for wet location



MODELS

Item Code	Watts(W)	Lumens (LM/W)*	CCT	Voltage
PHFL-300W-XXK-XXXV	300	>150LM/W	3000K/4000K/5000K	120-277 Or 347
PHFL-400W-XXK-XXXV	400		3000K/4000K/5000K	
PHFL-460W-XXK-XXXV	460		3000K/4000K/5000K	

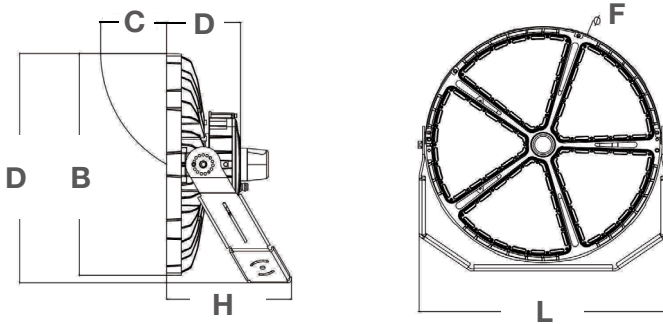
Lumens Output

Watts	300W	400W	460W
15°	45925lm	56222lm	61112lm
30°	51536lm	65915lm	73004lm
60°	50487lm	65032lm	74136lm

* High Lumens 170LM/W available upon request

DIMENSIONS

Watts(W)	Weight (lbs)	Fixture Dimension (D * H * L) (Inch)	EPA Horizontal(ft2)	EPA 25 DEG Down (ft2)
300 / 400 / 460	44	23 X 12 X 23	3.3	1.57



Watts(W)	Dimension (B/C/D/H/F) (Inch)
300 / 400 / 460	B=22" / C=6" / D=7" / F=22"

OPTIONAL (MUST BE SEPECIFIED)

CCT&CRI	
3070	3000K / CRI70
3080	3000K / CRI80
4070	4000K / CRI70
4080	4000K / CRI80
5070	5000K / CRI70
5080	5000K / CRI80

Driver compartment	
INT	Integral
OUT	External

Cord Option	
COR3	3 ft cabtire sow 3/18AWG
COR6	6 ft cabtire sow 3/18AWG