

EL

EMERGENCY LIGHT



PROJECT :

NOTE :

COMPANY NAME:

TYPE:

DATE:

CATALOGUE NUMBER:

ITEM CODE

WATT

CCT

BEAM ANGLE

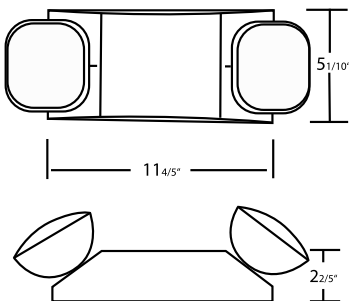
VOLTAGE

OPTION

SPECIFICATION

EMERGENCY EFFICIENT LED 3W
DUAL VOLTAGE INPUT CAPACITY 120/347VAC
INJECTION MOLDED OFF-WHITE THERMO PLASTIC
FAST INSTALLATION WITH SNAP-TOGETHER DESIGN
RED LED MONITOR CHARGER
TEST SWITCH UNDER HOUSING FOR EASY ACCESS
FULLY AUTOMATIC SOLID STATE CHARGER
DURATION 90 MINUTES BATTERY BACK UP
ADJUSTABLE LAMP HEADS FOR FULL DIRECTION
TWO LED LAMPS 2X1.5W/EACH
STANDARD WARRANTY 1 YEAR

DIMENSION



L*W*H (inch)

11.8X5.1X2.4

FEATURES

CONSTRUCTION

- Injection molded thermoplastic
- High impact UV stabilized thermoplastic
- DRY or DAMP location
- IP40
- Color: off-white
- Working temperature: 0°C~50°C

ELECTRICAL

- Dual power voltage input 120/347 VAC
- 90 minutes battery back up
- 3W consumption
- Fully automatic solid state charger
- Self compensation voltage reference charger
- Nickel cadmium battery pack
- 24 hours recharger after 90 minutes discharge

MOUNTING

- Provision for mounting on an octagonal box

COMPLIANCE

- ULc listed
- CSA-C22.2 NO.141
- ICES-005



Item Code	UPC	Voltage
EL-1.5W-120/347	10452	120V/347V