



## ADL

## 4-INCH SWITCHABLE SLIM PANEL

PROJECT :

NOTE :

COMPANY NAME:

TYPE:

DATE:

CATALOG NUMBER:

ITEM CODE

WATT

CCT

BEAM ANGLE

VOLTAGE

OPTION

### SPECIFICATION

Input Voltage	120VAC
Input Power	9W
Total Lumens	750LM
Power Factor	0.8
CCT	3CCT : 3000K-4000K-5000K
CRI	80Ra
Dimmability	Dimmable
Optical Characteristics	SMD 2835
Energy Level	A
Work Temperature	-10°C~+40°C
Beam Angle	180°
IP	IP44
Life Span	50 000Hrs
Warranty	5 years

### FEATURES

#### CONSTRUCTION

- Aluminum housing with PMMA lampshade
- Beam Angle 180°
- Power: 9W
- IP44
- Isolated driver steel box with knockouts
- Switch for selectable color temperature (3000k-4000k-5000k)

#### ELECTRICAL

- 120VAC
- Dimmable
- Operation temperature: -10°C ~ +40°C
- Power factor > 0.95

#### MOUNTING

- Ceiling mounting with spring clip
- No housing required

#### COMPLIANCE

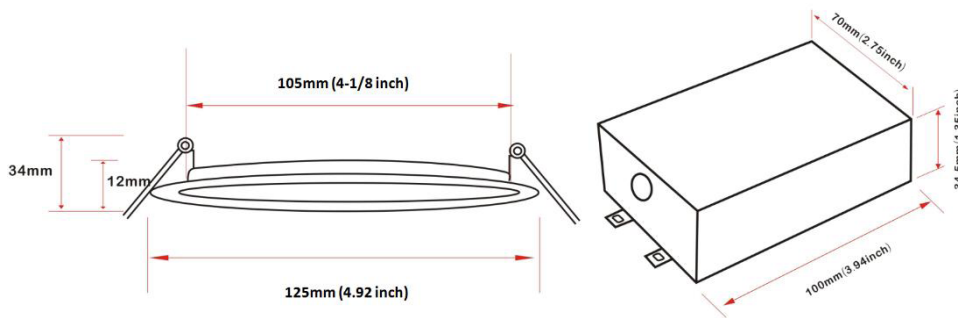
- ETLc
- EnergyStar
- 5-year warranty



### MODELS

Item Code	Watts (W)	Lumens (LM)	3CCT	Size	Finish	Voltage
ADL-4-R-W-3CCT-120V	9	750	3000K-4000K-5000K	4"	White	120V

### DIMENSION



Type	Outer Diameter (inch)	Cut Hole (inch)	Height (Panel) (inch)
Value	4.92	4-1/8	0.47

### DIMMER LIST ( LUTRON )

- CTCL-1533PHD-WH-C6681-732
- DV-600PR-WH-CIPSD6-722
- MA-LFQHW-WH-C
- TT-300H-WH-CSA
- MACL-153MRHW-WHC
- CT-600P
- SCL-153P
- CTCL-153P
- DVCL-153P
- MACL-153M
- S-600P