



## HPSL

## PERFORMANCE SPORT LIGHT

PROJECT :

NOTE :

COMPANY NAME:

TYPE:

DATE:

CATALOG NUMBER:

ITEM CODE

WATT

CCT&CRI

BEAM ANGLE

VOLTAGE

OPTION

DRIVER

### SPECIFICATION

**SPORT FLOOD LIGHT WITH LOW GLARE OPTIC**  
**UNIT AVAILABLE WITH INTEGRAL DRIVER OR REMOTE**  
**HEAVY DUTY DIE-CAST ALUMINIUM HOUSING**  
**LIGHT ENGINE ISOLATED FROM DRIVER COMPONENT FOR BETTER COOLING**  
**POWDER COAT PAINT FINISH: SILVER OR BLACK**  
**HORIZONTAL AND VERTICAL AIMING**  
**BEAM ANGLE: 15° / 30° / 60°**  
**CCT 4000K / 5000K**  
**PERFORMANCE UP TO 170LM/W**  
**OPERATING TEMPERATURE: -40°C TO +50°C**  
**CRI: 70RA STANDARD, 80RA AND 90RA OPTIONAL**  
**IP66 CONSTRUCTION; IK10 IMPACT RATING**  
**INPUT VOLTAGE 100-277VAC OR 347VAC, 50HZ OR 60HZ**  
**0~10V DIMMING STANDARD**  
**20KV SURGE PROTECTION STANDARD**  
**3G VIBRATION RATING**  
**STAINLESS STEEL HARDWARE**  
**5 YEAR WARRANTY STANDARD**  
**10 YEAR WARRANTY OPTIONAL**

### FEATURES

#### CONSTRUCTION

- High pressure die-cast aluminum housing
- Driver compartment can be integral or remote
- IP66 construction
- IK10 impact rating
- Powder coat finish silver or black
- standard trunnion die forge steel
- Integral horizontal & vertical aiming protractor
- Silicone gasket
- 3G vibration rated

#### MOUNTING

- Die forge steel trunnion with horizontal angle indicator
- Fit any angle cross arm or tubular support
- Trunion adaptor accesories

#### ELECTRICAL

- 100/277 VAC, 347VAC 60HZ
- 0-10V dimming standard
- PF>0.95
- 7 pins photo receptacle optional or integral ballast

#### COMPLIANCE

- ULc / DLC / IEC
- ICES 005
- ROHS
- Suitable for wet location



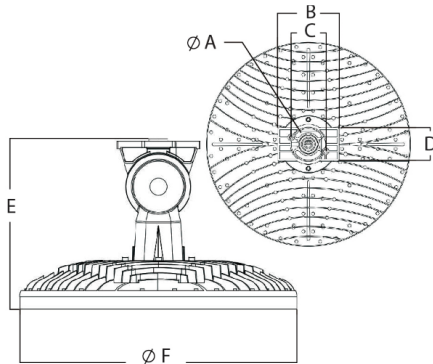
### MODELS

Item Code	Watts(W)	Lumens ( LM)	CCT	Voltage
HPSL-315W-XXK-XXV	315	51030	4000K/5000K	100-277 Or 347
HPSL-380W-XXK-XXV	380	60800	4000K/5000K	
HPSL-460W-XXK-XXV	460	75900	4000K/5000K	

\*580W, 720W available upon request

### DIMENSIONS

Watts(W)	Weight ( lbs )	Fixture Dimension ( $\Phi$ F*E ) ( Inch )	EPA Horizontal(ft2)	EPA 25 DEG Down (ft2)
315 / 380	30.8	18.3 X 18.3 X 13.4	2.2	0.996
460	39.68	21.6 X 21.6 X 13.2	3.07	1.195



Watts(W)	A/B/C/D(inch)
315 / 380	2.9 / 6.5 / 3.6 / 3.5
460	2.9 / 6.5 / 3.6 / 3.5

### OPTIONAL ( MUST BE SPECIFIED)

CCT&CRI	
4070	4000K / CRI70
4080	4000K / CRI80
5070	5000K / CRI70
5080	5000K / CRI80

Driver compartment	
INT	Integral
OUT	External

Cord Option	
COR3	3 ft cabtire sow 3/18AWG
COR6	6 ft cabtire sow 3/18AWG

### ORDER INFORMATION ( MUST BE SPECIFIED)

HPSL	WATTS	CCT	VOLTAGE	DISTRIBUTION	SENSOR	MOUNTING	CORD	FINISH
315W	40K=4000K	120=100-277V	15DEG	PIN3=photocell	MA=top fixed	COR3	SR=Silver	
380W	50K=5000K	347=347V	30DEG	recptacle 3 pin	MB=under Mount	COR6	BK=Black	
460W			60DEG	PIN7=photocell	yoke with driver box			
				recptacle 7pin	MC= Split mode			
				NN=no sensor	MD=Yoke mount			